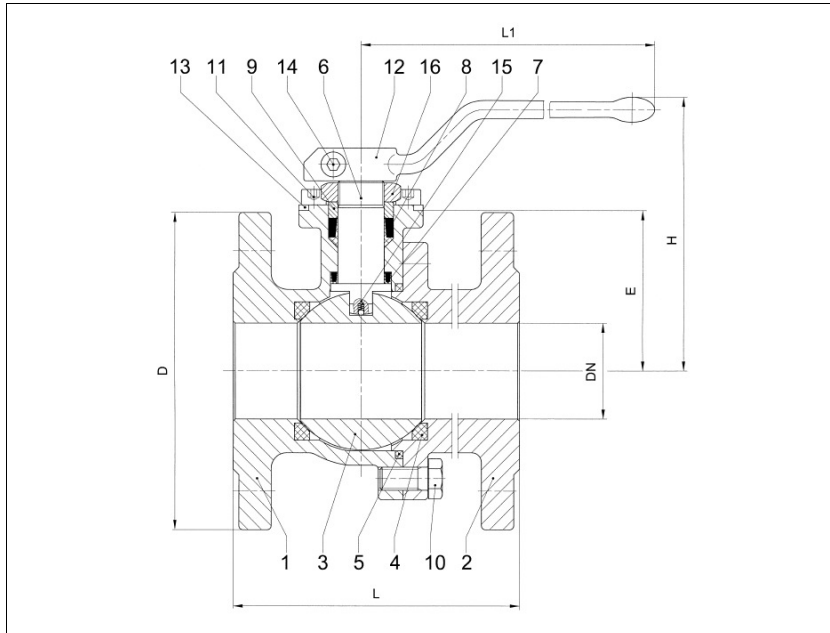


BALL VALVES INTEC

K200, DN15 - DN100, PN16/40
floating ball, soft seated



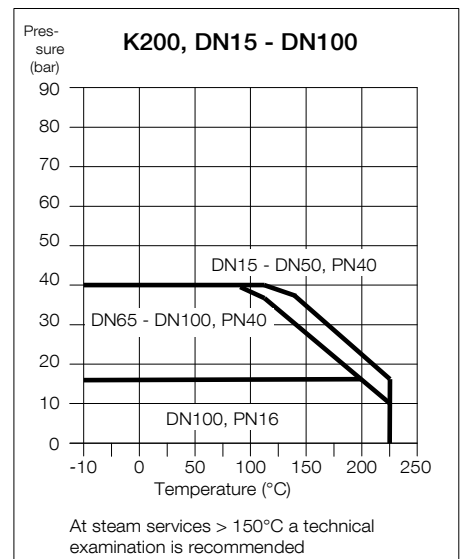
Flanged ball valve
full bore
face to face acc. to EN 558, GR. 1
face to face acc. to EN 558, GR. 27
flanges acc. to EN 1092

Specification:

Two-piece ball valve with flanges acc. to EN 1092, face to face dimensions acc. to EN 558, GR.1/GR.27, full bore, blow-out-proof stem, vacuum-tight, body material stainless steel (1.4408) or carbon steel (1.0619), antistatic device, free of non ferrous metals, seat full chambered, stem packing Graphite/KFGN/KFAM cone ring system dynamic loaded adjustable, top flange DIN EN ISO 5211, approved by PED, certified acc. to GERMAN clean air act VDI 2440, Fire-Safe acc. to API 607 and DIN EN ISO 10497, with lever.

Marking: INTEC K200

| No. | Part | Material | Material |
|-------------------------|-----------------------|--------------------------------|----------|
| Standard design | | | |
| 1 | body | 1.0619 | 1.4408 |
| 2 | cap | 1.0619 | 1.4408 |
| 3 | ball | 1.4408 | |
| 4 | seat | KFGN/KFM | |
| 5 | body seal | KF | |
| 6 | stem | 1.4462 | |
| 7 | below seal | KFGN/Graphite | |
| 8 | upper seal | KFAM/Graphite | |
| 9 | bearing | PEEK | |
| 10 | hex. screw | A4-70 | |
| 11 | allen screw | A2-70 | |
| 12 | lever | 1.4408/1.4308/steel zincplated | |
| 13 | stopper | 1.4301 | |
| 14 | allen screw | A2-70 | |
| 15 | antistatic element | 1.4401/1.4571/1.4404 | |
| 16 | hex. nut self-locking | A2/1.4301 | |
| Fire-Safe design | | | |
| 5 | combined body seal | KF-Graphite | |
| 9 | Fire-Safe seal | Graphite | |
| | ring | 1.4571/1.4404 | |
| | thrust washer | PEEK | |



Dimensions

| DN mm | PN | dimensions (mm) | | | | | top flange ISO | torque Nm** | weight kg | | |
|----------|----|-----------------|-----|-----------|------------|-----|----------------------|----------------|-----------|------|-------|
| | | H | L1 | L GR.1 | L GR.27 | D | | | E | GR.1 | GR.27 |
| 15 | 40 | 95 | 160 | 130 | 115 | 95 | 39.5 | F05 | 9 | 3.0 | 2.9 |
| 20 | 40 | 105 | 160 | 150 | 120 | 105 | 46.0 | F05 | 10 | 4.0 | 3.7 |
| 25 | 40 | 114 | 180 | 160 | 125 | 115 | 49.5 | F05 | 14 | 4.9 | 4.6 |
| 32 | 40 | 130 | 180 | 180 | 130 | 140 | 59.0 | F05 | 17 | 6.7 | 6.4 |
| 40 | 40 | 135 | 300 | 200 | 140 | 150 | 76.0 | F07 | 37 | 9.3 | 8.8 |
| 50 | 40 | 143 | 300 | 230 | 150 | 165 | 83.5 | F07 | 45 | 13.0 | 12.1 |
| 65 | 40 | 155 | 300 | 290 | 170 | 185 | 94.0 | F07 | 65 | 17.0 | 16.0 |
| 80 | 40 | 197 | 500 | 310 | 180 | 200 | 102.5 | F10 | 109 | 26.0 | 23.0 |
| 100 | 16 | 215 | 500 | 350 | 190 | 220 | 120.5 | F10 | 148 | 33.0 | 30.0 |
| 100 | 40 | 215 | 500 | 350 | 190 | 235 | 120.5 | F10 | 148 | 34.0 | 32.0 |

** Necessary torque measured with treated water at $\Delta P = 16$ bar and room temperature.

Ordering example:
INTEC K200, DN50, PN40, GR.27,
1.4408, Fire-Safe